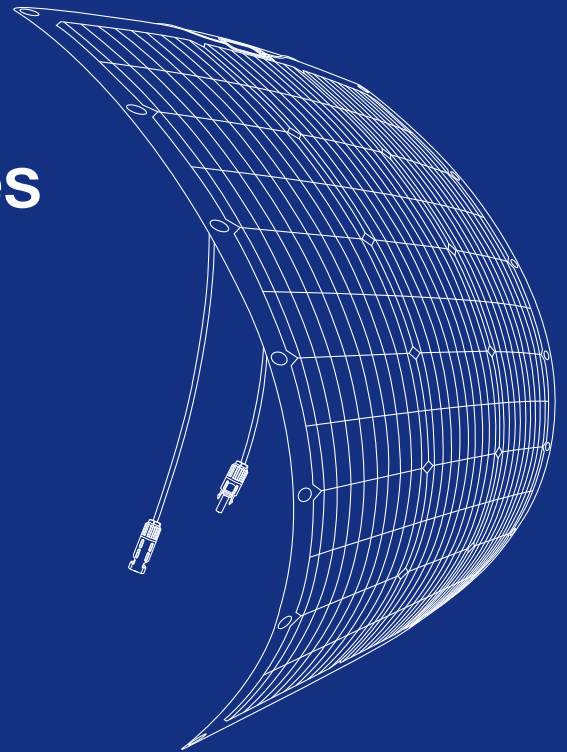


Lightweight flexible series

Greatly reduce the weight of the product and reduce installation costs

100W



• Main Features

- Lightweight, ultra-high flexibility, easy installation
- Fitting loss reduction for higher power
- Competitive Low Light Performance
- Reduces power loss by minimizing the effects of shadow occlusion
- Through strict weather resistance test, it proves its superior and reliable performance:
 - Dust, acid and alkali resistance, salt spray resistance
 - Anti-PID
 - Anti-hail impact

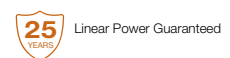
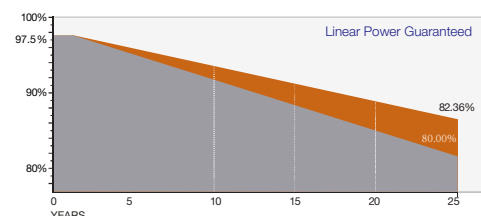
• Quality System

ISO9001
ISO14001
ISO45001

• Product Certificate



• Product Guarantee



Tel / +86 131 3771 8313, +86 188 3741 8885
E-Mail / info@ericcity.com
Web / www.ericcity.com

©2023 Ericcity. All rights reserved. Specifications subject to technical changes. Version number.2023/7

Electrical Performance Parameters

Specification	ER100FSP-1
Nominal Power (P_{m0})	100W
Voc (V_{oc})	23.76V
Isc (I_{sc})	5.55A
Vmp (V_{mp})	19.8V
Imp (I_{mp})	5.05A
Efficiency (η_p)	20.5%
Tolerance	0~+3W

STC:AM=1.5, Irradiation:1000W/m², Temperature:25°C

Structural Properties

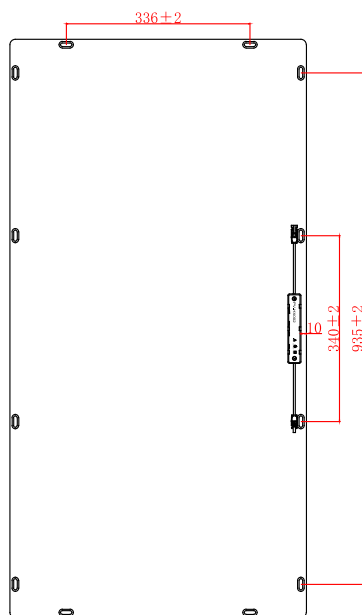
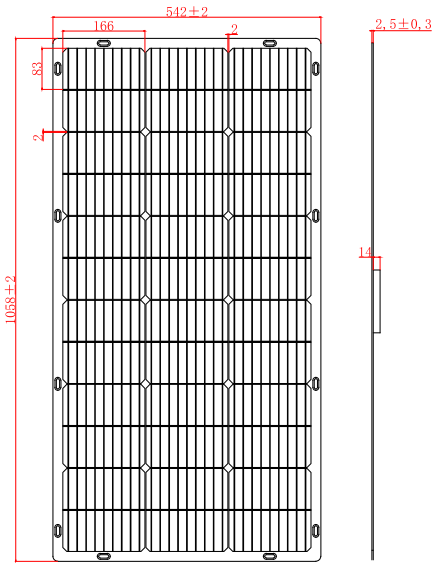
Dimension	1058mm*542mm
Thickness	2.5mm
Weight	2.25kg
Solar panel cell	Mono166*83mm, 36pcs (3*12)
Junction box	IP68 (3 bypass diodes), MC4 compatible connectors
Output conductor	44.0mm ² (IEC) Conductor length: (+)250mm, (-)350mm, conductor length can be customized

Temperature Property

Maximum power temperature coefficient	-0.35 %/°C
Open circuit voltage temperature coefficient	-0.26 %/°C
Short circuit current temperature coefficient	+0.047 %/°C
Operating temperature	-40 ~ +85 °C
Module Nominal Operating Temperature (NMOT)	44 ± 2 °C

Temperature Property

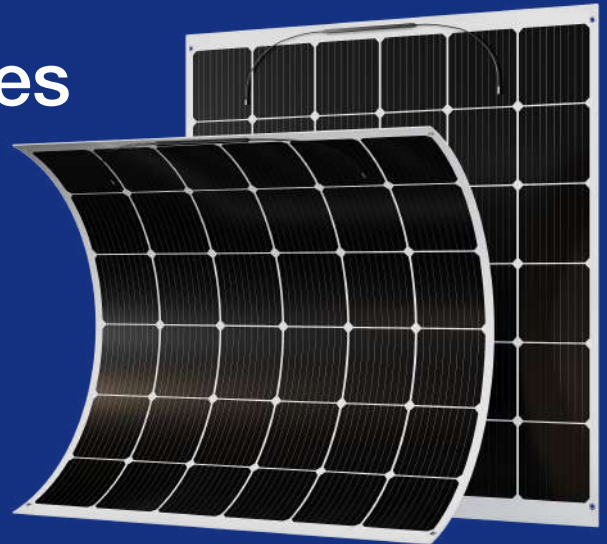
Container	Pcs/Box	No. of Box	Pcs of 40HQ Container
40HQ	45pcs	24	1080pcs



Lightweight flexible series

Greatly reduce the weight of the product and reduce installation costs

140-160W



• Main Features

- Lightweight, ultra-high flexibility, easy installation
- Fitting loss reduction for higher power
- Competitive Low Light Performance
- Reduces power loss by minimizing the effects of shadow occlusion
- Through strict weather resistance test, it proves its superior and reliable performance:
 - Dust, acid and alkali resistance, salt spray resistance
 - Anti-PID
 - Anti-hail impact

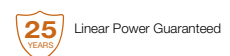
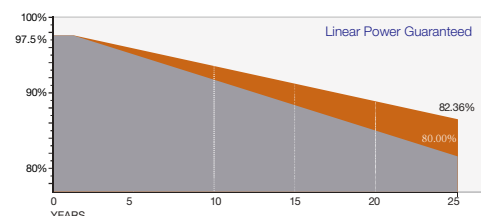
• Quality System

ISO9001
ISO14001
ISO45001

• Product Certificate

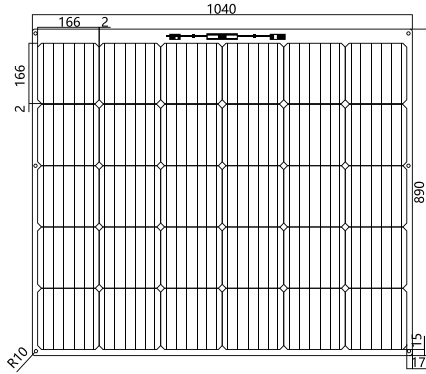


• Product Guarantee



Tel / +86 131 3771 8313, +86 188 3741 8885
E-Mail / info@ericcity.com
Web / www.ericcity.com

©2023 Ericcity. All rights reserved. Specifications subject to technical changes. Version number.2023/7



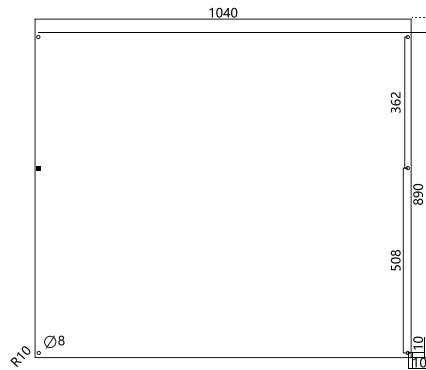
Electrical Performance Parameters

Specification	ER140FSP-1	ER160FSP-1
Nominal Power (P_{mp})	140W-Mono	160W-Mono
Voc (V_{oc})	19.8V	19.8V
Isc (I_{sc})	6.05A	9.76A
Vmp (V_{mp})	18V	18V
Imp (I_{mp})	5.5A	8.88A
Efficiency (η_p)	20.5%	20.5%
Tolerance	0~+5W	0~+5W

STC:AM=1.5, Irradiation:1000W/m², Temperature:25°C

Structural Properties

Specification	ER140FSP-1	ER160FSP-1
Dimension	1070*796mm	1040*890mm
Thickness	3mm	3mm
Weight	2.95kg	3.35kg
Solar panel cell	Mono 182*60mm, 64(4*16)	Mono 166*166mm, 30(5*6)
Junction box	IP68 (3 bypass diodes), MC4 compatible connectors	
Output conductor	44.0mm ² (IEC) Conductor length: (+)250mm, (-)350mm, conductor length can be customized	



Temperature Property

Maximum power temperature coefficient	-0.35 %/°C
Open circuit voltage temperature coefficient	-0.26 %/°C
Short circuit current temperature coefficient	+0.047 %/°C
Operating temperature	-40 ~ +85 °C
Module Nominal Operating Temperature (NMOT)	44 ± 2 °C

Temperature Property

Container	Pcs/Box	No. of Box	Pcs of 40HQ Container
40HQ	50pcs	40	2000pcs

